

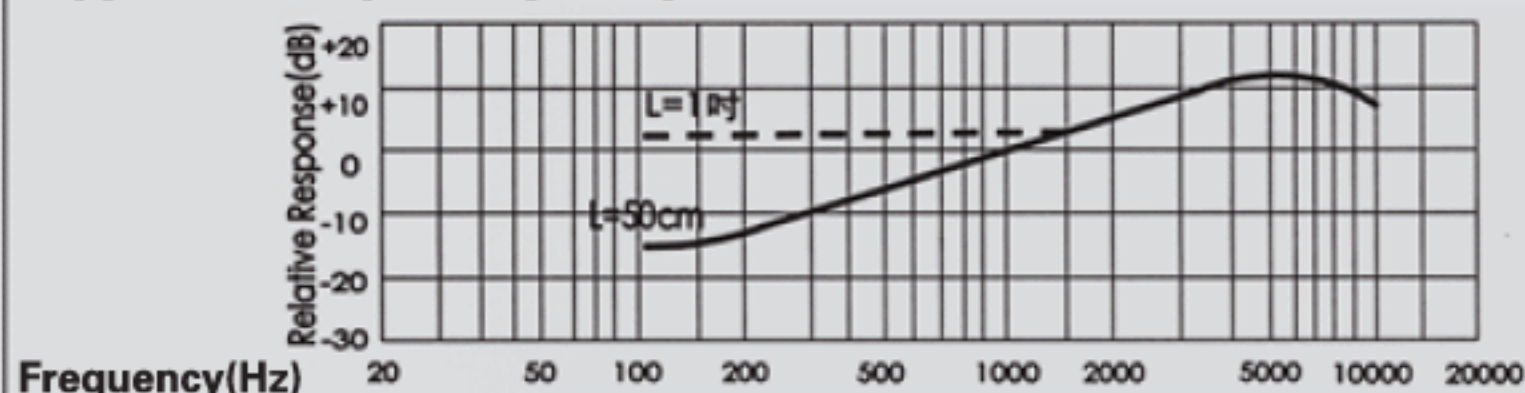
NB-4015、4011

Noise Cancelling Back Electret Condenser Microphone

Appearance



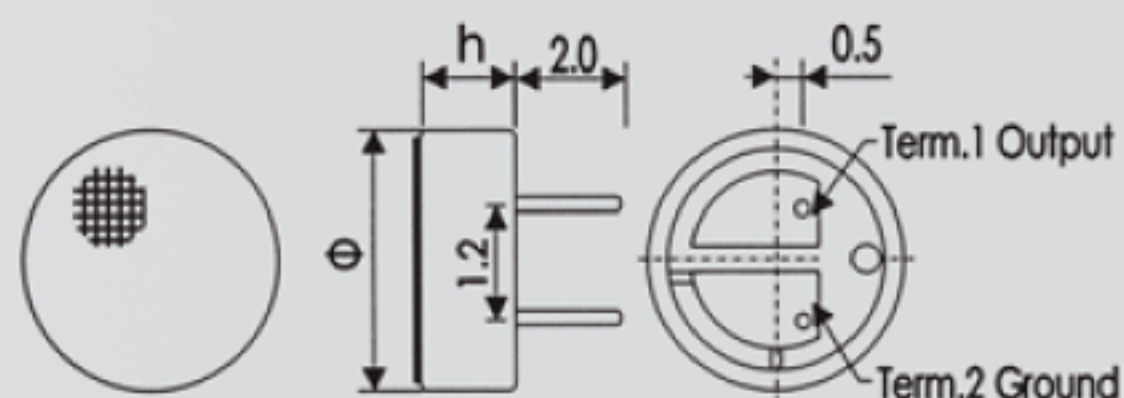
Typical frequency response curve



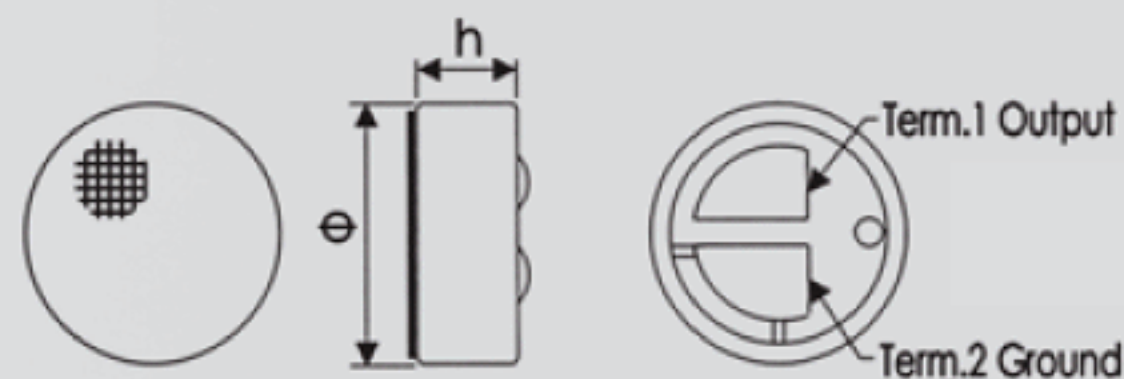
Dimensional drawing

Unit: mm

Pin type



Lead-wire



- Very small, thin type
- Close talk characteristics effectively reduce ambient noise
- Most suited to products having limited Space.
- Capacitor inside:
10pF(DECT,PHS,PCN, PCS.etc.)
33pF(GSM,PDS.etc.)
10pF+33pF(DECT,PHS,PCN, GSM,PDS.etc.)

Specification

Sensitivity

See above(0dB=1V / Pa,1kHz)

Impedance

Less than 2.2K Ω

Directivity

Noise cancelling

Frequency

100-10,000Hz

Max. operation voltage

10.0V

Standard Operation voltage

2.0V

Current consumption

Max. 0.5mA

Sensitivity reduction

Within-3dB at 1.5V

S/N ratio

More than 50dB

Shape size

$\Phi 4.0 \times h1.5$
 $\Phi 4.0 \times h1.1$

Sensitivity range

$V_s=2.0v$
 $R_L=2.2K \Omega$

$-58 \pm 3dB$
 $-62 \pm 3dB$

$-66 \pm 3dB(L=50cm)$