

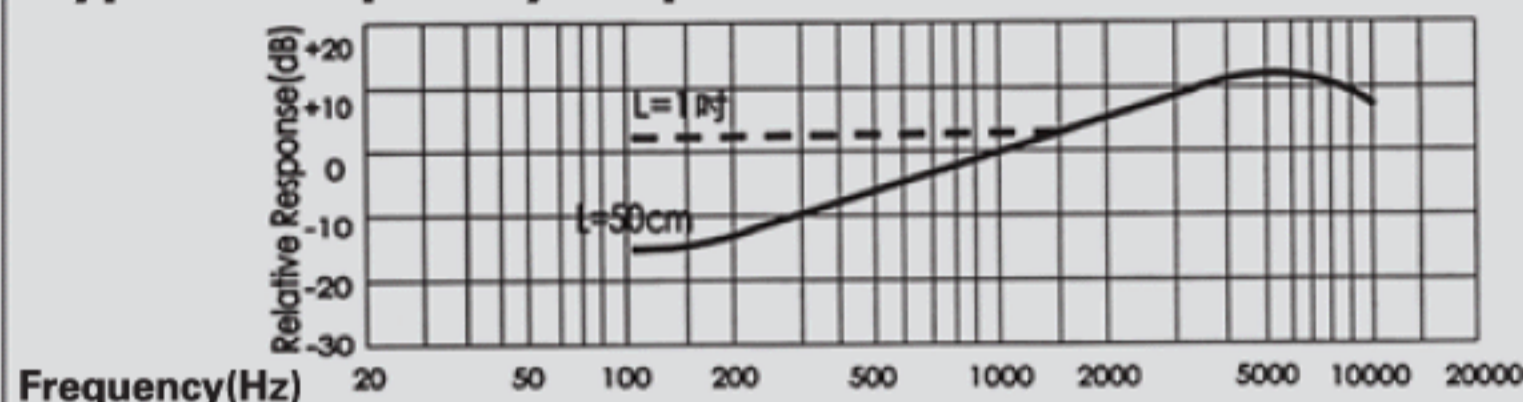
## NB-6022、 6018

## Noise Cancelling Back Electret Condenser Microphone

### Appearance



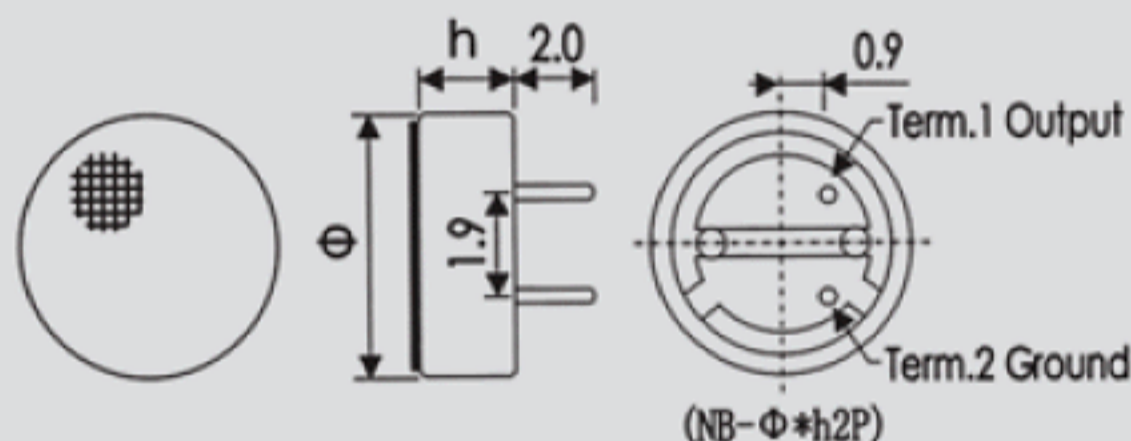
### Typical frequency response curve



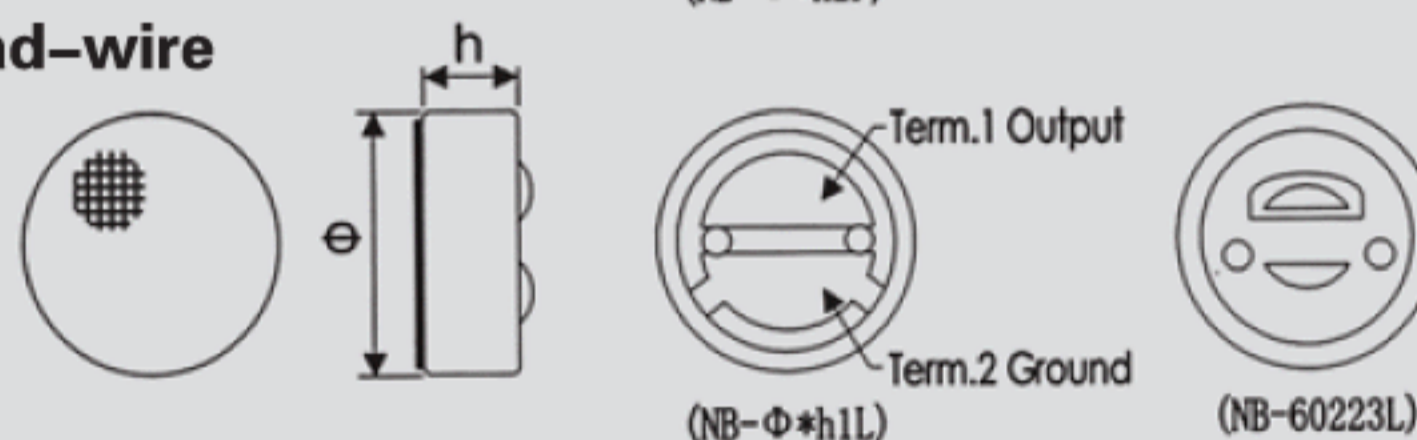
### Dimensional drawing

Unit: mm

#### Pin type



#### Lead-wire



- Very small, thin type
- Close talk characteristics effectively reduce ambient noise
- Most suited to products having limited Space.
- Capacitor inside:  
10pF(DECT,PHS,PCN, PCS.etc.)  
33pF(GSM,PDS.etc.)  
10pF+33pF(DECT,PHS,PCN, GSM,PDS.etc.)

### Specification

#### Sensitivity

See above(0dB=1V / Pa,1kHz)

#### Impedance

Less than 2.2K Ω

#### Directivity

Noise cancelling

#### Frequency

100-10,000Hz

#### Max. operation voltage

10.0V

#### Standard Operation voltage

2.0V

#### Current consumption

Max. 0.5mA

#### Sensitivity reduction

Within-3dB at 1.5V

#### S/N ratio

More than 50dB

### Shape size

Φ6.0X h2.2  
Φ6.0X h1.8

### Sensitivity range

$V_s=2.0v$   
 $R_L=2.2K\Omega$

-48 ± 3dB      -52 ± 3dB(L=50cm)  
-50 ± 3dB      -54 ± 3dB