

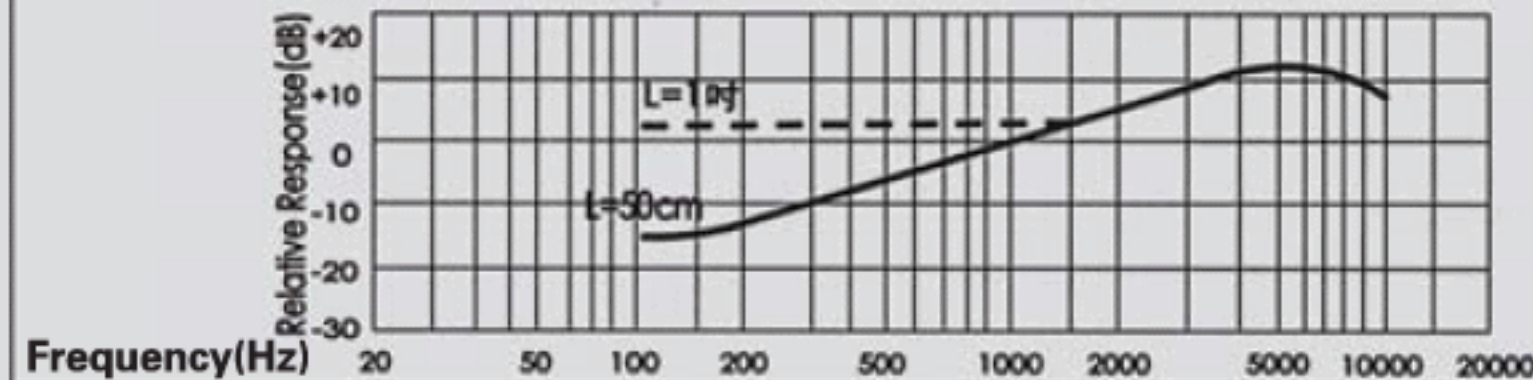
## NB-6027

## Noise Cancelling Back Electret Condenser Microphone

### Appearance

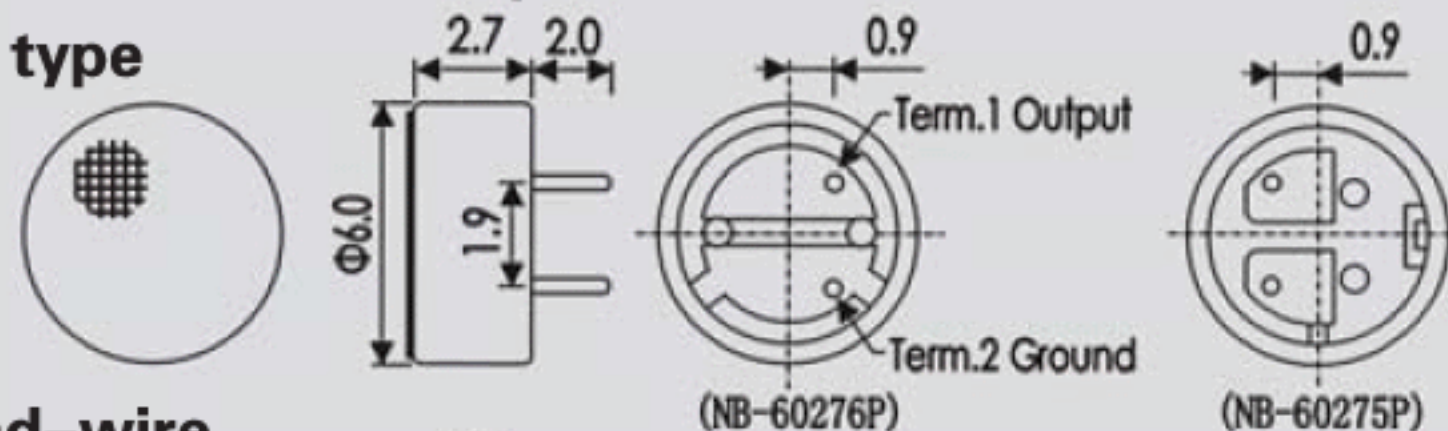


### Typical frequency response curve

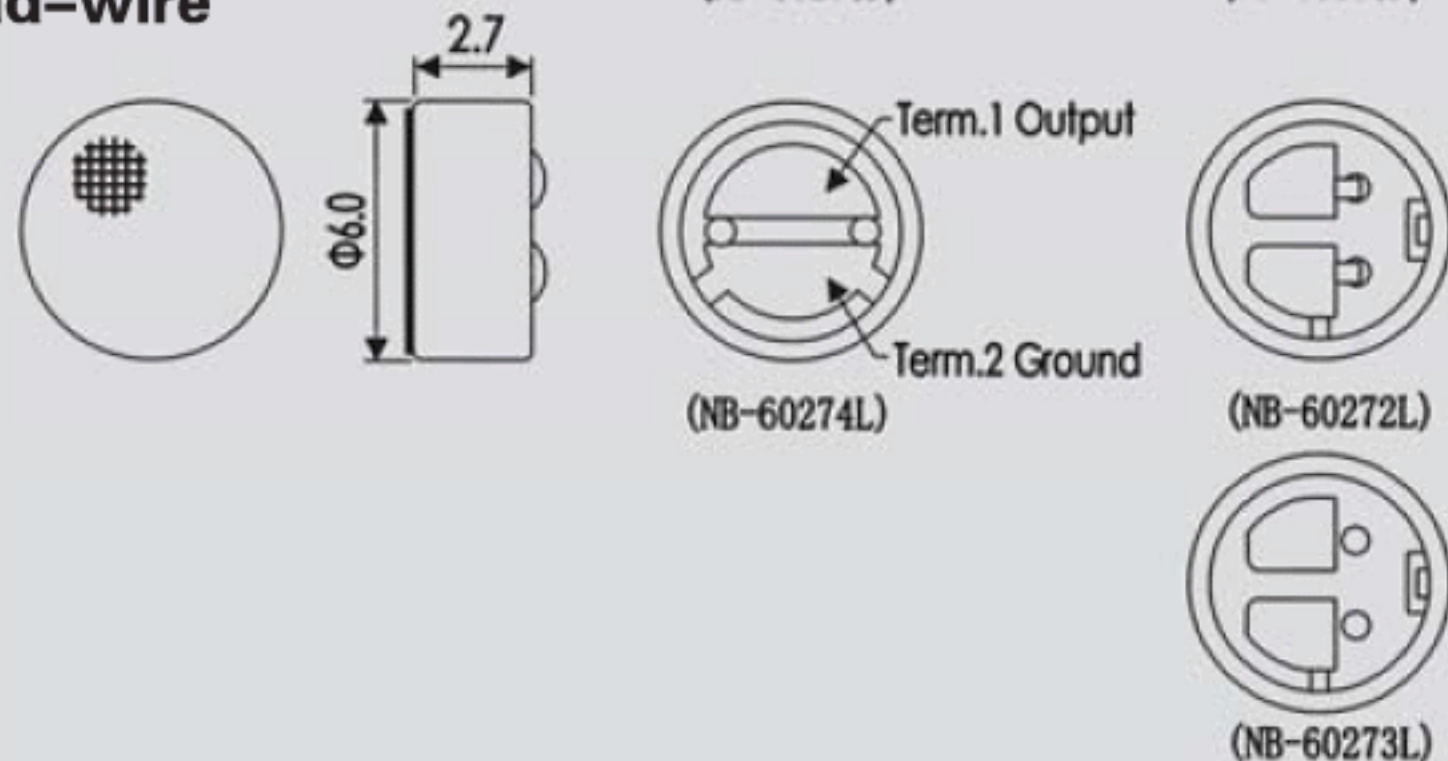


### Dimensional drawing

#### Pin type



#### Lead-wire



Unit: mm

- Very small, thin type
- Close talk characteristics effectively reduce ambient noise
- Most suited to products having limited Space.
- Capacitor inside:  
10pF (DECT, PHS, PCN, PCS, etc.)  
33pF (GSM, PDS, etc.)  
10pF + 33pF (DECT, PHS, PCN, GSM, PDS, etc.)

### Specification

#### Sensitivity

See above (0dB = 1V / Pa, 1kHz)

#### Impedance

Less than 2.2K  $\Omega$

#### Directivity

Noise cancelling

#### Frequency

100 - 10,000Hz

#### Max. operation voltage

10.0V

#### Standard Operation voltage

2.0V

#### Current consumption

Max. 0.5mA

#### Sensitivity reduction

Within -3dB at 1.5V

#### S/N ratio

More than 50dB

### Shape size

$\Phi 6.0 \times h 2.7$

### Sensitivity range

$V_s = 2.0v$   
 $R_L = 2.2K \Omega$

$-44 \pm 3dB$

$-48 \pm 3dB$

$-52 \pm 3dB (L=50cm)$