

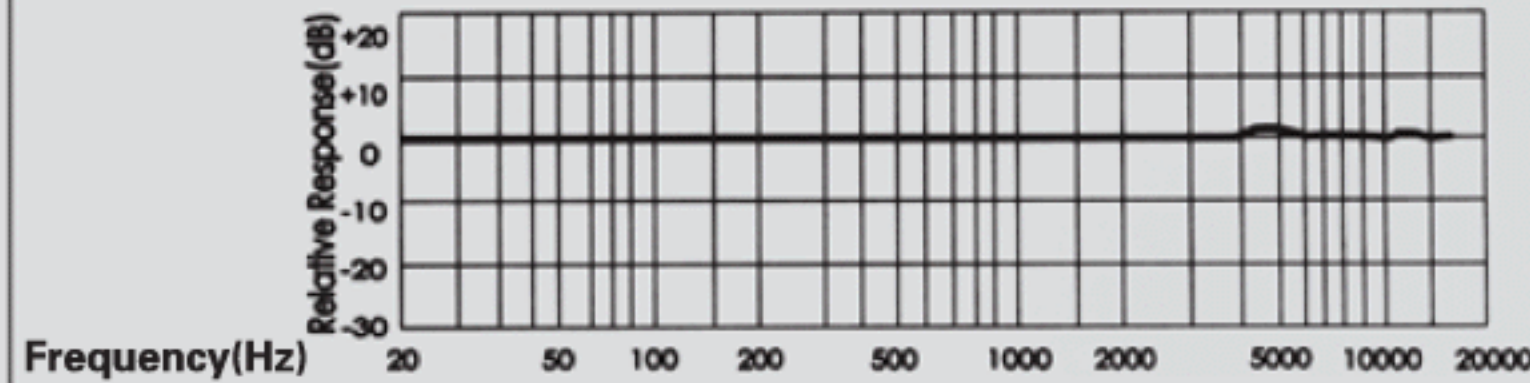
## OB-4522、4518

## Omnidirectional Back Electret Condenser Microphone

### Appearance



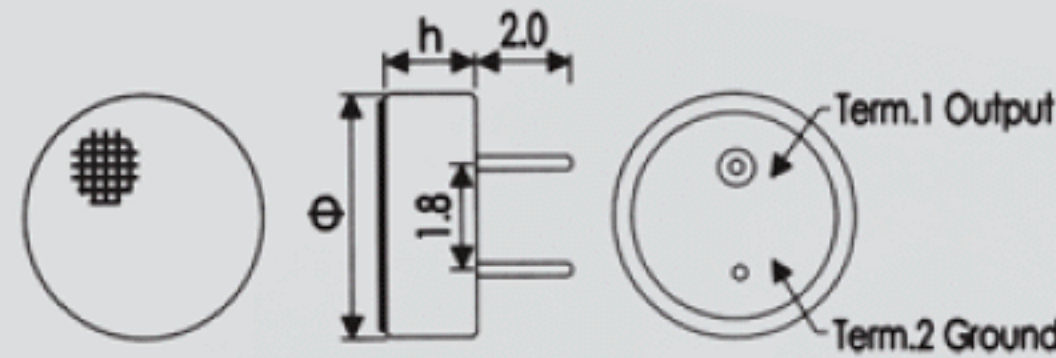
### Typical frequency response curve



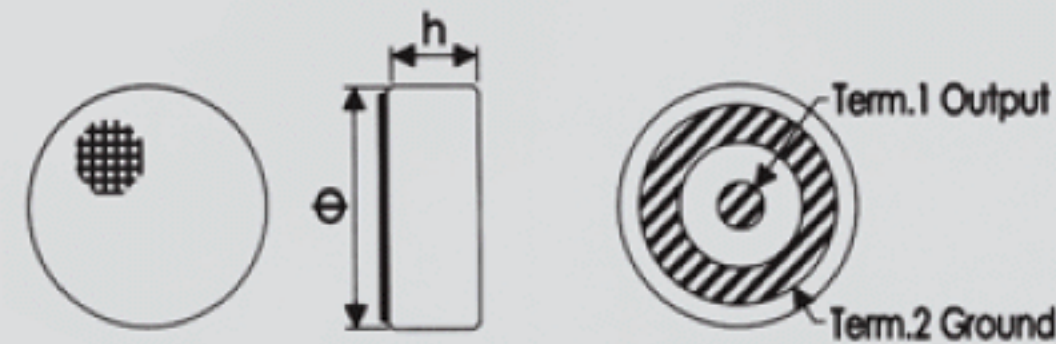
### Dimensional drawing

Unit: mm

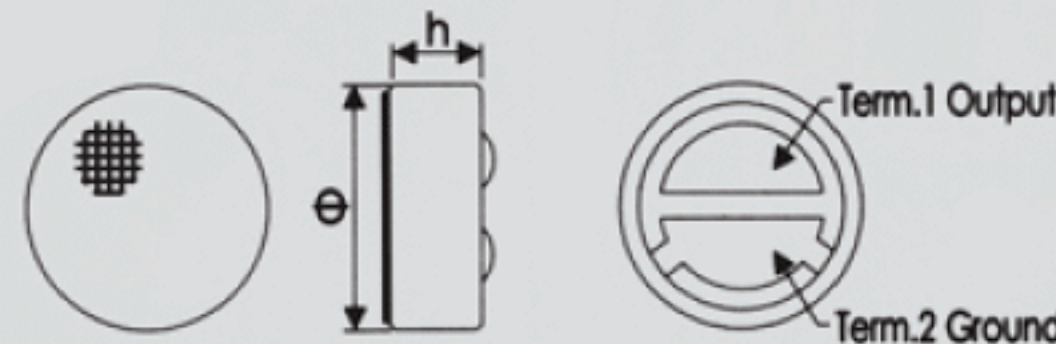
#### Pin type



#### Solderless



#### Lead-wire



- Very small, thin type omni-directional microphone
- Most suited to products having limited Space
- To design for high resistance to vibrations
- Capacitor inside:  
K: 10pF (DECT, PHS, PCN, PCS, etc.)  
C: 33pF (GSM, PDS, etc.)  
B: 10pF + 33pF (DECT, PHS, PCN, GSM, PDS, etc.)

### Specification

- Sensitivity**  
See above (0dB = 1V / Pa, 1kHz)
- Impedance**  
Less than 2.2K Ω
- Directivity**  
Omni-directional
- Frequency**  
20-16,000Hz
- Max. operation voltage**  
10.0V
- Standard Operation voltage**  
2.0V
- Current consumption**  
Max. 0.5mA
- Sensitivity reduction**  
Within -3dB at 1.5V
- S/N ratio**  
More than 58dB

### Shape size

Φ4.5X h2.2  
Φ4.5X h1.8

### Sensitivity range

$V_s = 2.0v$   
 $R_L = 2.2K \Omega$

$-42 \pm 3dB$      $-50 \pm 3dB$   
 $-46 \pm 3dB$      $-54 \pm 3dB$