

# .050" (1.27mm) Female Header Single Row Type

## .050"X.100" (1.27X2.54mm) Female Header Dual Row



1127 Series  
2127 Series

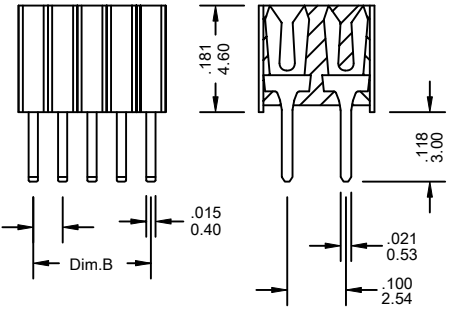
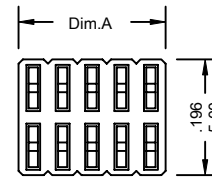
### FEATURES:

- . 1127 Series 2-50 Circuits, 2127 Series 4-100 Circuits
- . Low-profile or High-profile and High density is suitable for devices which require small and light internal parts
- . High reliability contact structure provides normal-force after repeated cycles.
- . Mate with 1.27mm pitch and 0.46 square or round pin header

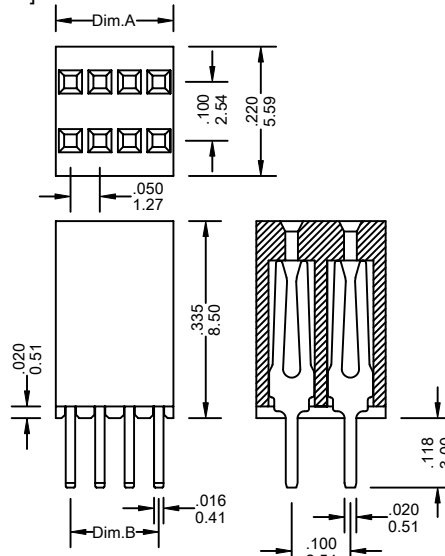
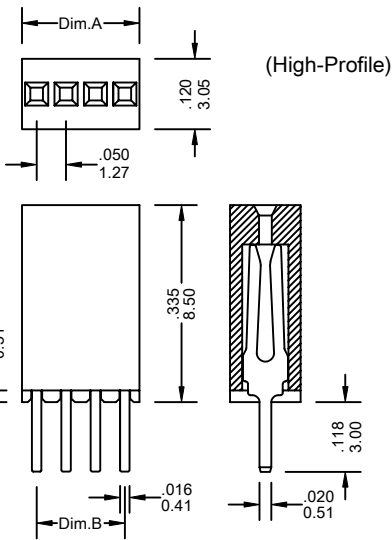
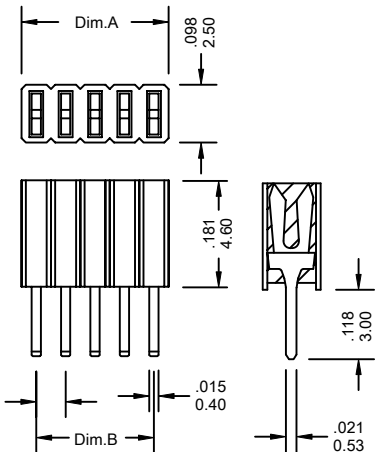
### SPECIFICATIONS:

- . Current rating: 1A AC, DC
- . Voltage rating: 250V AC, Maximum
- . Temperature range: -40°C ~ +105°C
- . Contact resistance: Initial Value/10mΩ max.  
After environmental testing /20mΩ max.
- . Insulation resistance: 5000MΩ min
- . Withstand Voltage: 500V AC/minute
- . Applicable PC Board thickness: .063"[1.6mm]

UNIT: INCH  
MM

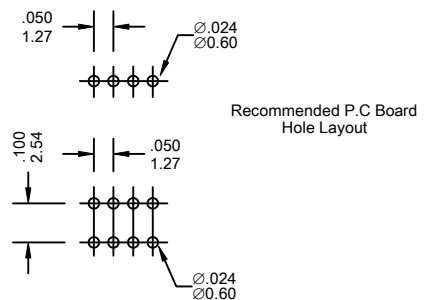


(Low-Profile)



### Ordering Information 1127,2127 Series

Series No.	No. of Contacts	Contact Type	Plastic High	Contact Plating	
1127	10P	S	H	G1	PB
1127 Series	02P ~ 50P	S: Straight	H: 8.50mm L: 4.60mm	T: Tin G1: Gold Flash G5: 5u" Gold G10: 10u" Gold G15: 15u" Gold G30: 30u" Gold [G: Full Gold]	RoHs
2127 Series	2X02P ~ 2X50P				



### Dimensional Information

Circuits	Dim.A± .008 0.20	Dim.B± .008 0.20	Circuits	Dim.A± .008 0.20	Dim.B± .008 0.20	Circuits	Dim.A± .008 0.20	Dim.B± .008 0.20
2	.100 2.54	.050 1.27	3	.150 3.81	.100 2.54	4	.200 5.08	.150 3.81

1127 Series

\* FOR CIRCUIT SIZES 5 THROUGH 50 ADD .050" OR 1.27MM FOR EACH ADDITIONAL PIN.

Circuits	Dim.A± .008 0.20	Dim.B± .008 0.20	Circuits	Dim.A± .008 0.20	Dim.B± .008 0.20	Circuits	Dim.A± .008 0.20	Dim.B± .008 0.20
4	.100 2.54	.050 1.27	6	.150 3.81	.100 2.54	8	.200 5.08	.150 3.81

2127 Series

\* FOR CIRCUIT SIZES 10 THROUGH 100 ADD .050" OR 1.27MM FOR EACH ADDITIONAL PIN.