

D-Subminiature High Density Connector Crimp Terminal With Male And Female Type



DHDT Series (Plug and Socket)

FEATURES:

- . Pin diameter: 0.76mm
- . Available in a choice of platings
- . Should be combined with DCH series
- . PIN with incessant or divergent type

MATERIALS:

- . Contacts: Phosphor Bronze. (Socket)
- . Brass (Plug)

ELECTRICAL CHARACTERISTICS:

- . Test with DHDCH Series
- . Current rating: 5 Amperes
- . Withstanding Voltage: AC 1250V r.m.s
- . Insulation Resistance: 5000 Megohms Minimum at DC 500V
- . Contact Resistance: 5 Milliohms Maximum
- . Operation Temperature: -55C° ~ +105C°
- . Applicable wire: # 24AWG ~ # 28AWG

MECHANICAL CHARACTERISTICS:

- . Contact Resistance Force: 341 g. Maximum
- . Contact Separation Force: 20 g. Minimum

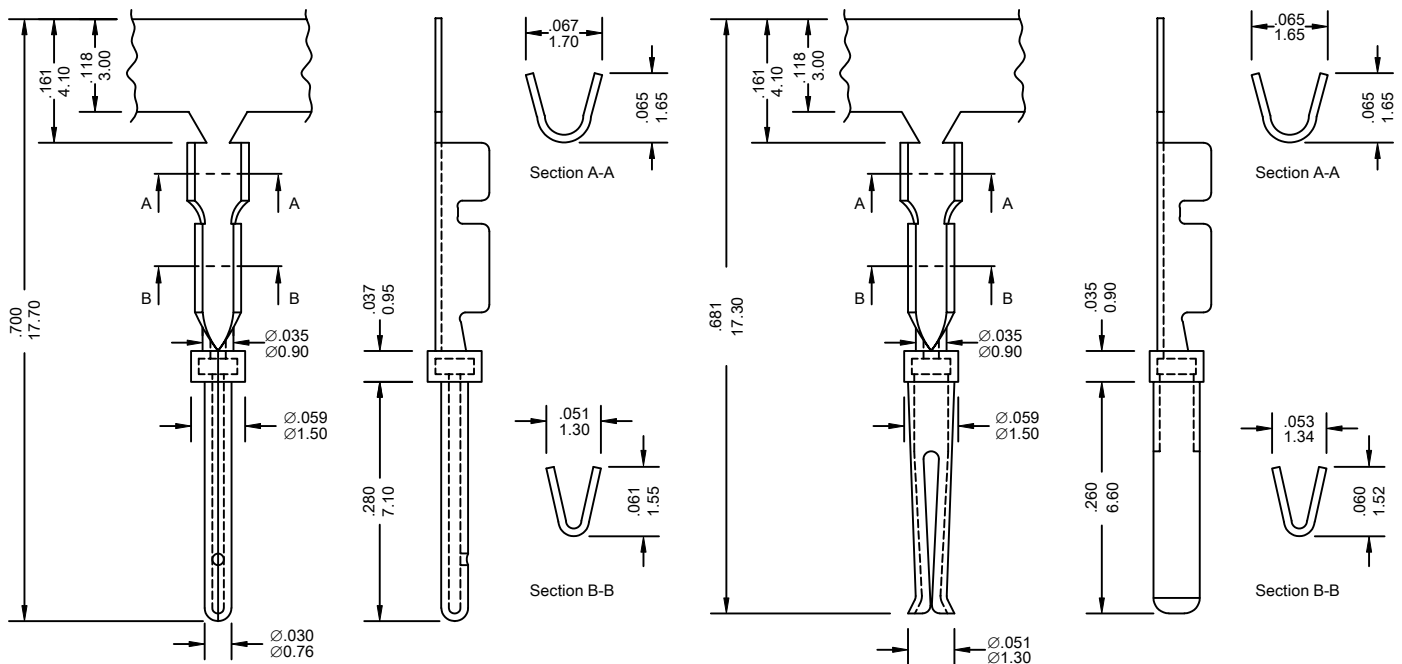
FINISHES:

- . Contact: Gold Flash ,10,15,30,50u"

UNIT: INCH
MM

(MALE)

(FEMALE)



Ordering Information DHDT Series

Series No.	Contact Type	Contacts Plating	
DHDT	F	S1	PB
DHDT Series	F: Female M: Male	S1: Gold Flash S5: 5u" Gold S10: 10u" Gold S15: 15u" Gold S30: 30u" Gold	RoHs