

## D-Subminiature Connector P.C.B Straight Male & Female Type

### DPS Series (Plug)&(Socket)

#### FEATURES:

- . Contact positions: 09,15,25,37 and 50
- . Designed for use with data signal carrying devices
- . Available in socket styles
- . Optional plating available
- . Mates with industry compatible connectors

#### MATERIALS:

- . Contacts: Brass and Phosphor
- . Housing: PBT+30% Glass Fiber (UL 94V-0)
- . Shell: Cold Roller Steel

#### ELECTRICAL CHARACTERISTICS:

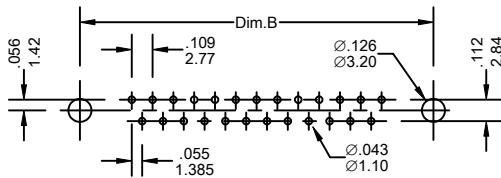
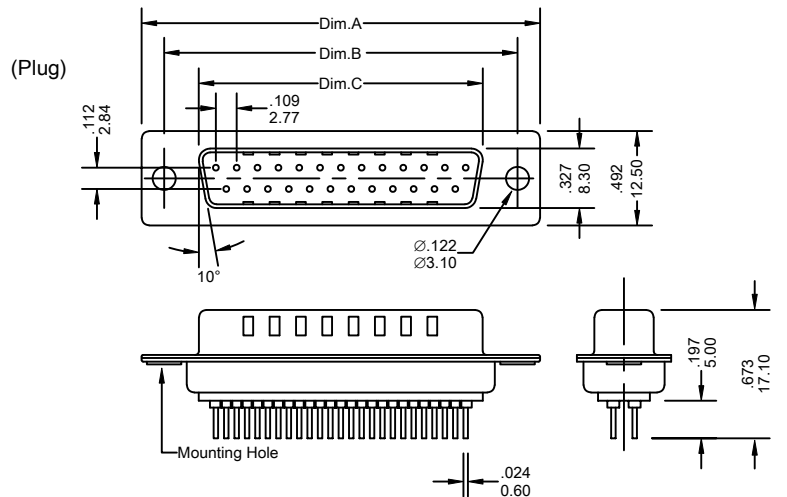
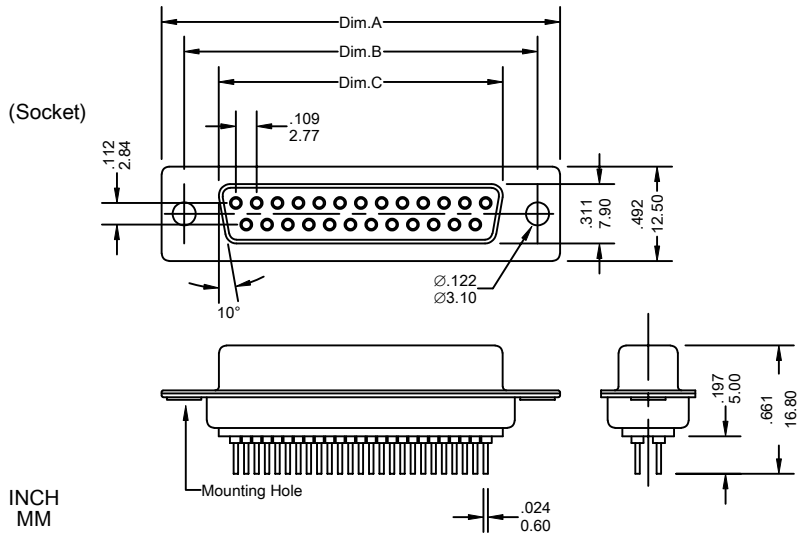
- . Current rating: 5 Amperes
- . Withstanding Voltage: AC 1250V r.m.s
- . Insulation Resistance: 5000 Megohms Minimum at DC 500V
- . Contact Resistance: 15 Milliohms Maximum
- . Operation Temperature: -55C° ~ +105C°
- . Applicable P.C.Board thickness: .063"[1.6mm]

#### MECHANICAL CHARACTERISTICS: UNIT: INCH MM

- . Contact Resistance Force: 341 g. Maximum
- . Contact Separation Force: 20 g. Minimum

#### FINISHES:

- . Contact: Gold Flash ,10,15,30,50u"
- . Shell: Nickel Plated, Tin Plated



PCB Hole Pattern

### Ordering Information DPS Series

Series No.	No. of Contacts	Contact Type	Shell Finish	Mounting Hole	Contacts Plating	Insulation Color	
DPS	- 25	M -	1	0	0	0	- PB
DPS Series	09 15 25 37 50	M: Male (Plug) F: Female (Socket)	0: Nickel 1: Tin	0: Through Hole 1: Thread Insert #4-40 uncs 2: Front Rivete #4-40 nuts 3: Rear Rivet #4-40 nuts	0: Gold Flash 1: 5u" Gold 2: 10u" Gold 3: 15u" Gold 4: 30u" Gold 5: Selective Gold Flash 6: Selective 5u" Gold 7: Selective 10u" Gold 8: Selective 15u" Gold 9: Selective 30u" Gold	0: Black 1: Blue 2: White 3: Grey	RoHs

#### Dimensional Information (Socket)

Circuits	9	15	25	37	50	
Dim.A±	.015 0.38	1.213 30.80	1.543 39.20	2.089 53.05	2.732 69.40	2.634 66.90
Dim.B±	.005 0.13	.984 25.00	1.311 33.30	1.852 47.05	2.500 63.50	2.406 61.10
Dim.C±	.005 0.13	.642 16.30	.969 24.60	1.510 38.35	2.158 54.80	2.063 52.40

#### Dimensional Information (Plug)

Circuits	9	15	25	37	50	
Dim.A±	.015 0.38	1.213 30.80	1.543 39.20	2.089 53.05	2.732 69.40	2.634 66.90
Dim.B±	.005 0.13	.984 25.00	1.311 33.30	1.852 47.05	2.500 63.50	2.406 61.10
Dim.C±	.005 0.13	.665 16.90	.994 25.25	1.534 38.95	2.181 55.40	2.079 52.80